



诚心·用心·专业·规范

SOLVE YOUR NEEDS WITH SERVICES

LUBRICATION SYSTEM FOR AGRICULTURE MACHINERY



2023 V1.1

LUBRICATION SYSTEM
FOR
AGRICULTURE
MACHINERY

Yantai Ciso Lubrication Technology Co.,Ltd

www.cisolube.com

Tel:400-800-9400

Company Introduction



Company⁺ Introduction

Yantai Ciso Lubrication Technology Co., Ltd. is a high-tech enterprise specializing in R&D, production and sales of centralized lubrication systems and hydraulic equipment. The centralized lubrication systems produced by our company have the characteristics of high stability, strong reliability, good sealing, and high output pressure. The products and services currently have covered petrochemical, wind power generation, construction machinery, agricultural machinery, rail transit, medicine and other industries, and it is a leading solution provider in the industry.

The company adheres to the concept of "integrity-based, quality first, and continuous innovation" to provide customers with A+ ideal solutions to meet the different needs of customers. Through years of research and development and production practice, from product design to accessories selection, product assembly, finished product testing and sales services, to ensure product quality.

Certificate



目录

CONTENTS⁺

Grease lubrication system.....	1-34
Main components of system.....	1
GT pump.....	2
GM samll pump.....	10
GW pump.....	18
VSP distributor.....	22
DSP distributor.....	26
VB distributor.....	33
Manual Grease lubrication system components.....	38
Product application cases.....	39
Oil chain lubrication system.....	41-52
Main components of system.....	41
PMV pump.....	42
PMM pump.....	48
PMN pump.....	50
Product application cases.....	52
Lubrication System Accessories.....	53-59
Grease lubrication system accessories.....	53
Chain lubrication system accessories.....	68



Grease lubrication system

Grease lubrication system is mainly divided into two kinds, one is electric centralized lubrication system, The second is the manual centralized lubrication system. The biggest difference between the two systems is the electric system The dynamic degree is higher, and the detection function can be realized.

GT pump



- Electric high voltage, Max. 35Mpa
- Max. 5 Unit of pump outlets
- Controller available
- Oil-NLGI2#Grease
- The pump body is strong and UV resistant

GM pump



- Electric high voltage, Max. 25Mpa
- Max. 5 Unit of pump outlets
- Controller available
- Progressive and Single-line lubrication system
- Smaller mounting size
- The pump body is strong and UV resistant

GW pump



- With top cover, easy to fill oil
- Electric high voltage, Max. 35Mpa
- Max. 5 Unit of pump outlets
- Controller available
- Oil-NLGI2#Grease
- The pump body is strong and UV resistant

Progressive distributor



The pump makes the lubricant flow from the main road to the progressive distributor at all levels, "progressive" delivery to each lubrication point. The working cycle of the progressive distributor is monitored by a visual or electronic control system

LUS



GT PUMP

- Pump oil and grease
- Multiple grease filling ways
- Powerful centralized control system
- Multiple voltages are available

Characteristics

- Pump oil and grease
- Reservoirs:2L
 - 4L
 - 6L
 - 8L
 - 12L
- Voltages:12VDC
 - 24VDC
 - 90-240VAC
- Multiple grease filling ways
- Powerful centralized control system
- CE Certification
- Design patent
- IP65

THE SMALL PUMP PACKAGE WITH BIG FEATURES

DESIGN AND ADVANCED SOLUTIONS

GT pump is a piston pump

predisposed to operate with a maximum of five pumping units,Its design is particularly suitable for progressive systems or single-line systems.

Five independent line lubrication at the same time.

Output can be combined and increase displacement

With special materials, to achieve excellent anti-shock ability

Special design of pump make it easy to observe the oil level and prevent UV radiation, prevent oil deterioration.With low liquid level alarm,flashing buzzer.

Also can choose the type of output.

Standard: can be managed by an external PLC. Since it does not come with an internal control unit, this is the most economic solution for lubricating your systems.

Automatic: With integrated control system, which can be set up local running time.Equipped with local operation and alarm light, alarm with buzzer, provide low level and pulse alarm, which can be combined with the monitor of distributor units into a perfect operating system.



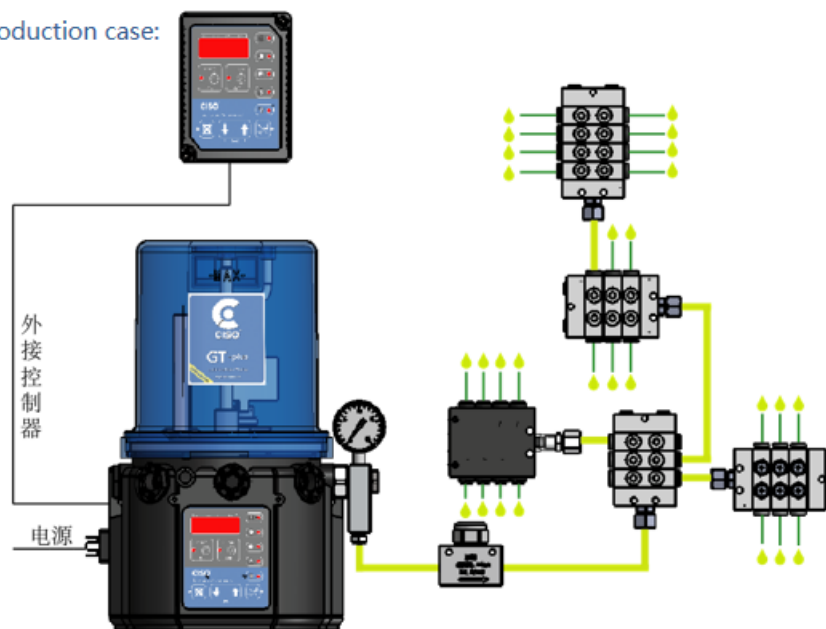
Application

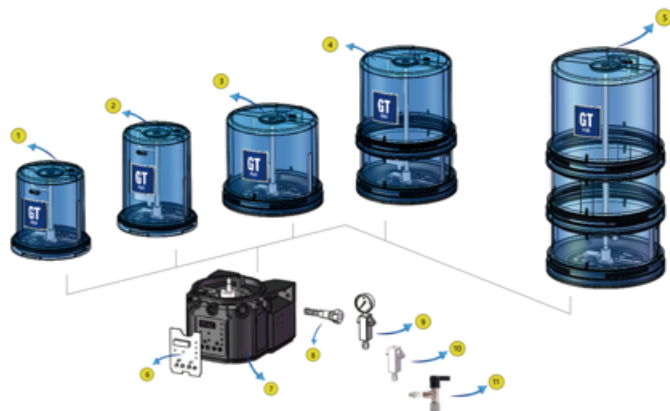
- Construction machinery
- Agricultural equipment
- Wind power equipment
- Press machine
- Mining equipment
- Ship and Marine engineering
- Food and drinking
- Textile

TECHNICAL CHARACTERISTICS

Unit of pump outlets	Max 5 outlets
Outlet thread	G1/4
Rated flow	2ml, 3ml, 4ml/min
Operating pressure	35MPa Max
Reservoir Capacity	2, 4, 6, 8, 12L
Lubricants	OIL, 000, 00, 0, 1, 2
Operating temperatures	-40-90°C

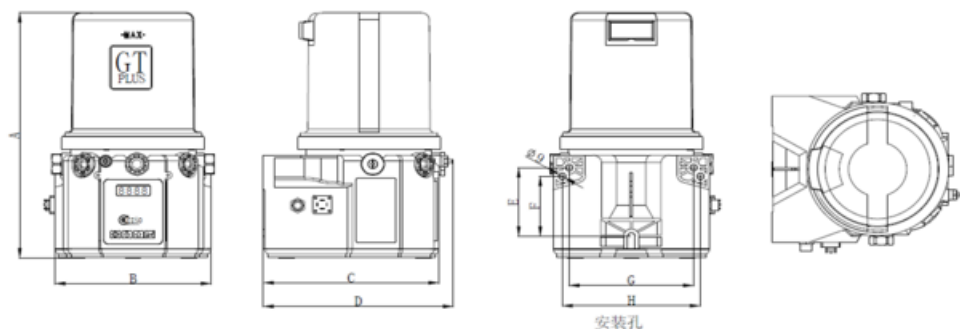
System production case:





NO.	PART	NO.	PART
1	2L Pump Tank	7	Pump base
2	4L Pump Tank	8	PLUS Pumping Element
3	6L Pump Tank	9	Pump outlet assembly (With pressure gauge)
4	8L Pump Tank	10	Pump outlet assembly (Without pressure gauge)
5	12L Pump Tank	11	With Relief valve
6	Control panel		

2L & 4L Dimensions(mm):

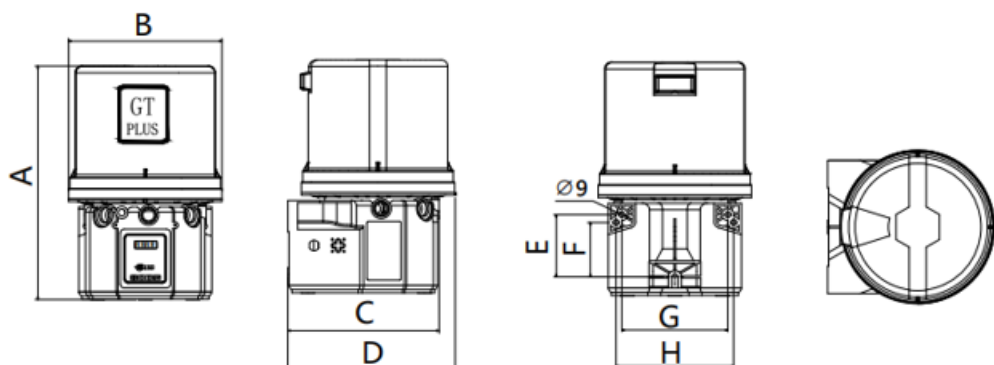


Reservoirs	A	B	C	D	E	F	G	H
2L	338	204	229.5	248	95.5	83.5	162.5	180
4L	378	204	229.5	248	95.5	83.5	162.5	180



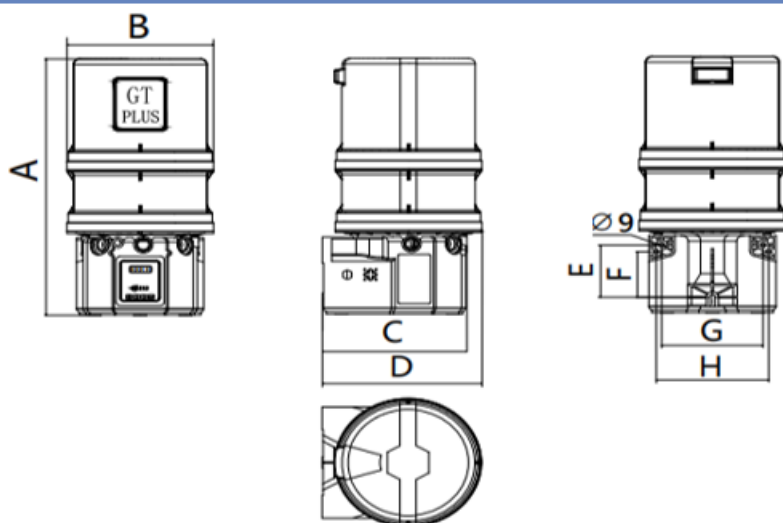
GT pump

6L Dimensions (mm):



Reservoirs	A	B	C	D	E	F	G	H
6L	358	235	231.5	256.5	95.5	83.5	162.5	180

8L & 12L Dimensions (mm):

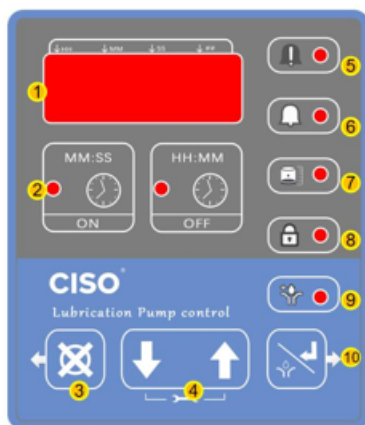



Reservoirs	A	B	C	D	E	F	G	H
8L	471	235	231.5	256.5	95.5	83.5	162.5	180.5
12L	585	235	231.5	256.5	95.5	83.5	162.5	180.5



Control System:

- Clear panel
- Programs that can be designed
- It can be password protected
- Sound alarm
- Low level alarm
- Accept proximity switch
- Excellent shock resistance
- Pre lubrication button
- IP65




Press and hold the "↑+↓" keys at the same time to enter the setting mode, Press  to enter page browsing.

Set run time

The LED adjacent to the ON part of the clock lights up, indicating that you are setting the boot time parameters, you can press "↑ or ↓" to adjust the time.

Set shutdown time

The LED adjacent to the OFF section clock lights up to indicate that you are setting the shutdown time parameter. Press "↑ or ↓" to adjust the time.

Press  to start running

- 1 Easy to read LED display
- 2 Legible on/off instructions
- 3 Reset function
- 4 Easy to use navigation keys
- 5 Alarm signal of lube system shutdown
- 6 Warning signal prior to lube system shutdown
- 7 Low level indication
- 8 Access to the control device is password protected
- 9 Pre-lube capability
- 10 Manually run/Confirm



GT pump

Ordering information:

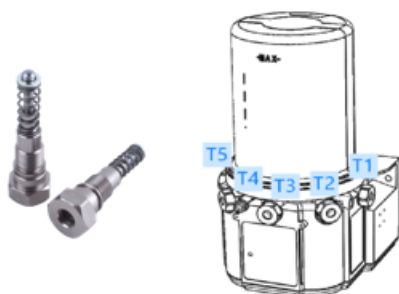
1、 Order the GT-PLUS pump for the upper grease cover.Please add -C after the standard part number.

For example:20D220-C

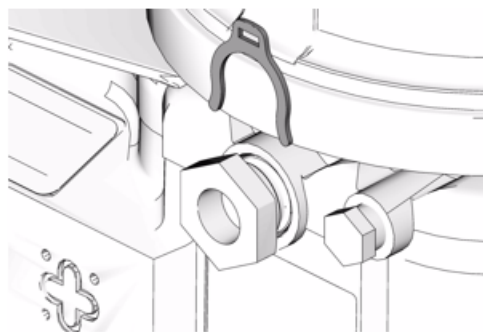


2、 Every factory GT pump is equipped with a pump element at the T1 position. Customers can purchase pump element and install them in positions T2 through T5!

Only suitable for K6, if you choose other pump head, please consult customer service.



3、 Displacement can be adjusted by shims.Pump displacement settings can use 0, 1 or 2 spacers. More than 2 spacers are prohibited

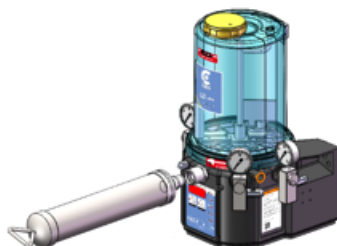


No. Spacers	Output Volume/Minute	
	cubic inches	cubic cm
2	0.12	2
1	0.18	3
0	0.25	4



Fill grease type:

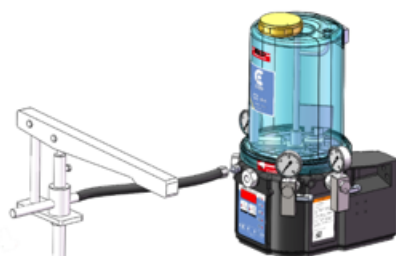
① with grease gun kits



② with cartridge



③ with hand pump



Ordering information:

Name	Part number	Reservoirs	Voltages	Type
GT pump	20D221	2L	12V	with timer
	20D241	2L	24V	
	20D421	4L	12V	
	20D441	4L	24V	
	20D226	2L	12V	Without timer
	20D246	2L	24V	
	20D426	4L	12V	
	20D446	4L	24V	



GT pump

Ordering information:



20- D 2 4 1 L G F

<p>Type D= stirrer E= with follower plate</p>	D
<p>Reservoir 2=2L 4=4L 6=6L 8=8L 12=12L</p>	2
<p>Voltages 2=12VDC 4=24VDC 6=90-240VAC</p>	4
<p>Timer 1= with timer 6= without timer</p>	1
<p>Low Level L= with level M= without level</p>	L
<p>Lubricant G= Grease O= Oil</p>	G
<p>Fill Type Blank = Grease Nipples F= Quick connection C= Top cap</p>	F





GM

Lube Master

www.cisolube.com

GM PUMP

- More compact size
- Pump oil and grease
- Multiple grease filling ways
- Powerful centralized control system
- Multiple voltages are available

Characteristics

- Pump oil and grease
- Reservoirs:1.5L
2L
4L
- Voltages:12VDC
24VDC
90-240VAC
- Multiple grease filling ways
- Powerful centralized control system
- CE Certification
- Design patent
- IP65

HIGH PERFORMANCE IN A COMPACT PUMP

GM is a piston pump, predisposed to operate with a maximum of Five pumping units,Its design is particularly suitable for progressive systems or singleline systems.



Five independent line lubrication at the same time.

Output can be combined and increase displacement

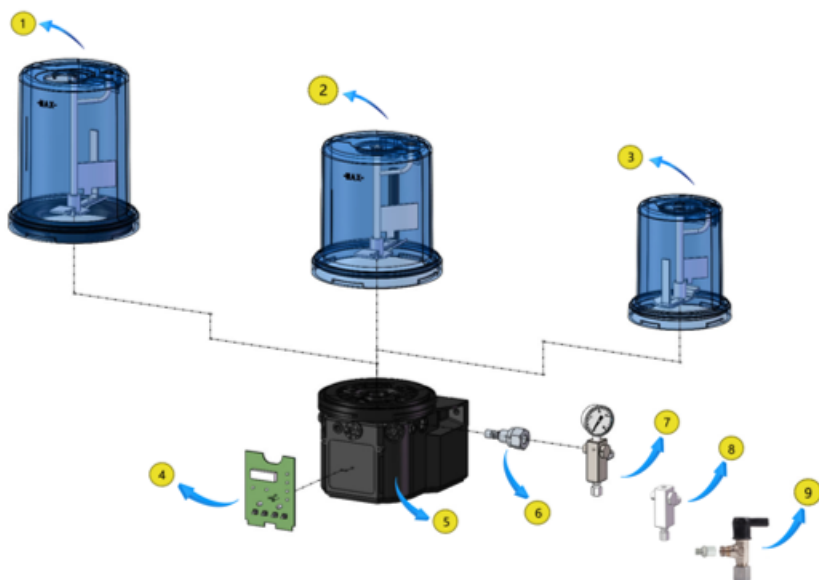
With special materials, to achieve excellent anti-shock ability

Special design of pump make it easy to observe the oil level and prevent UV radiation, prevent oil deterioration.With low liquid level alarm,flashing buzzer. Also can choose the type of output.

Standard: can be managed by an external PLC. Since it does not come with an internal control unit, this is the most economic solution for lubricating your systems.

Automatic: With integrated control system, which can be set up local running time.Equipped with local operation and alarm light, alarm with buzzer, provide low level and pulse alarm, which can be combined with the monitor of distributor units into a perfect operating system.



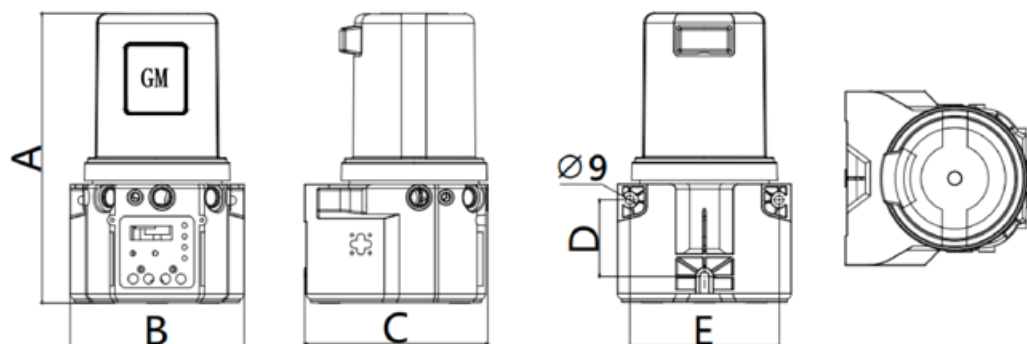


NO.	PART	NO.	PART
1	4L Pump Tank	6	GM Pumping Element
2	2L Pump Tank	7	Pump outlet assembly (With pressure gauge)
3	1.5L Pump Tank	8	Pump outlet assembly (Without pressure gauge)
4	Control panel	9	With Relief valve
5	Pump base		



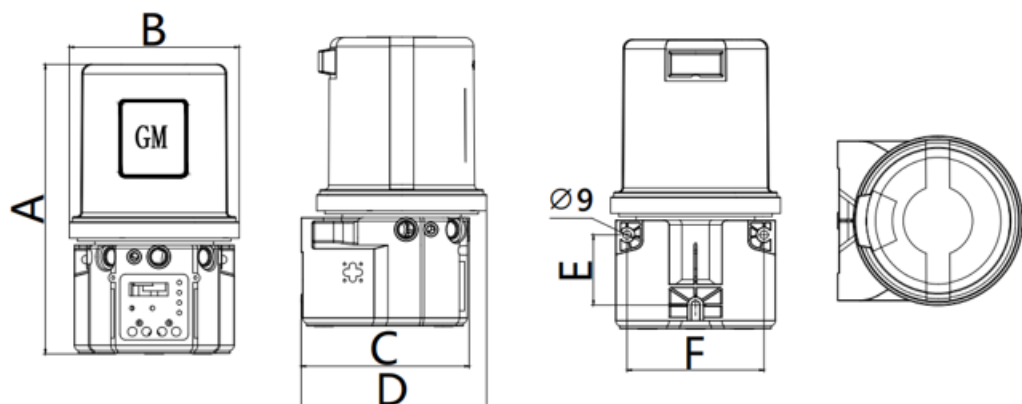
GM pump

1.5L Dimensions (mm):



Reservoirs	A	B	C	D	E
1.5L	292	175	184	77	150

2L&4L Dimensions (mm):



Reservoirs	A	B	C	D	E	F
2L	314	186	184	203	77	150
4L	354	186	184	203	77	150



TECHNICAL CHARACTERISTICS

Unit of pump outlets	Max 5 outlets
Outlet thread	G1/4
Operating pressure	25MPa Max
Reservoir Capacity	1.5, 2, 4L
Lubricants	OIL, 000, 00, 0, 1, 2
Operating temperatures	-40-90°C

Control System:



- Clear panel
- Programs that can be designed
- It can be password protected
- Sound alarm
- Low level alarm
- Accept proximity switch
- Excellent shock resistance



GM pump

Ordering information:

Stir Type				
Type	Lubricants	Voltages	Reservoirs	Part number
Standard	Grease	12VDC	1.5	22D126G
			2	22D226G
			4	22D426G
		24VDC	1.5	22D146G
			2	22D246G
			4	22D446G
	Oil	12VDC	1.5	22D126O
			2	22D226O
			4	22D426O
		24VDC	1.5	22D146O
			2	22D246O
			4	22D446O

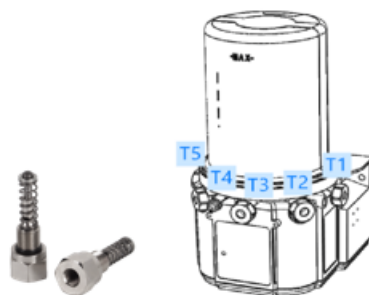


Ordering information:

Stir Type				
Type	Lubricants	Voltages	Reservoirs	Part number
Automatic	Grease	12VDC	1.5	22D121G
			2	22D221G
			4	22D421G
		24VDC	1.5	22D141G
			2	22D241G
			4	22D441G
	Oil	12VDC	1.5	22D121O
			2	22D221O
			4	22D421O
		24VDC	1.5	22D141O
			2	22D241O
			4	22D441O

Every factory GM pump is equipped with a pump element at the T1 position. Customers can purchase pump element and install them in positions T2 through T5!

Only suitable for P6, if you choose other pump head, please consult customer service.



Ordering information:



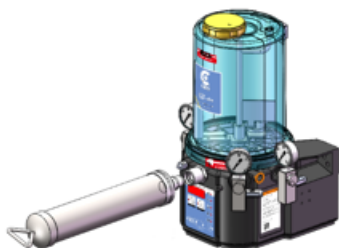
22- D 2 4 1 L G F

<p>Type D = Stir E = With follower plate</p>	
<p>Reservoir 1 = 1.5L 2 = 2L 4 = 4L</p>	
<p>Voltages 2 = 12VDC 4 = 24VDC 6 = 90-240VAC</p>	
<p>Timer 1 = with timer 6 = without timer</p>	
<p>Low Level L= with level M= without level</p>	
<p>Lubricant G = Grease O = Oil</p>	
<p>Fill Type Blank = Grease Nipples F= Quick connection C= Top cap</p>	



Fill grease type:

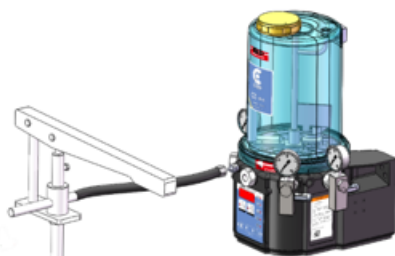
- 1 with grease gun kits



- 2 with cartridge



- 3 with hand pump





GW

Grease Master

GW PUMP

- With top cover
- Pump oil and grease
- Multiple grease filling ways
- Powerful centralized control system
- Multiple voltages are available

With top cover, more convenient and fast

DESIGN AND ADVANCED SOLUTIONS

GW pump is a piston pump

predisposed to operate with a maximum of five pumping units, its design is particularly suitable for progressive systems or single-line systems.

Five independent line lubrication at the same time. Output can be combined and increase displacement With special materials, to achieve excellent anti-shock ability

Special design of pump make it easy to observe the oil level and prevent UV radiation, prevent oil deterioration. With low liquid level alarm, flashing buzzer. Also can choose the type of output.

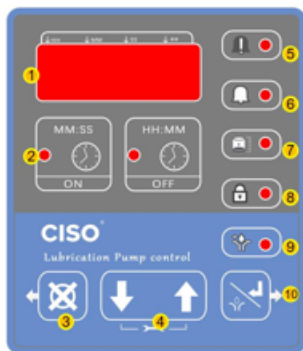
Standard: can be managed by an external PLC. Since it does not come with an internal control unit, this is the most economic solution for lubricating your systems.

Automatic: With integrated control system, which can be set up local running time. Equipped with local operation and alarm light, alarm with buzzer, provide low level and pulse alarm, which can be combined with the monitor of distributor units into a perfect operating system.



Characteristics

- With top cover
- Reservoir: 2L, 6L, 8L, 12L
- Voltages: 12VDC, 24VDC, 90-240V
- Pump oil and grease
- Multiple grease filling ways
- Powerful centralized control system
- CE Certification
- Design patent
- IP65



- 1 Easy to read LED display
- 2 Legible on/off instructions
- 3 Reset function
- 4 Easy to use navigation keys
- 5 Alarm signal of lube system shutdown
- 6 Warning signal prior to lube system shutdown
- 7 Low level indication
- 8 Access to the control device is password protected
- 9 Pre-lube capability
- 10 Manually run/Confirm



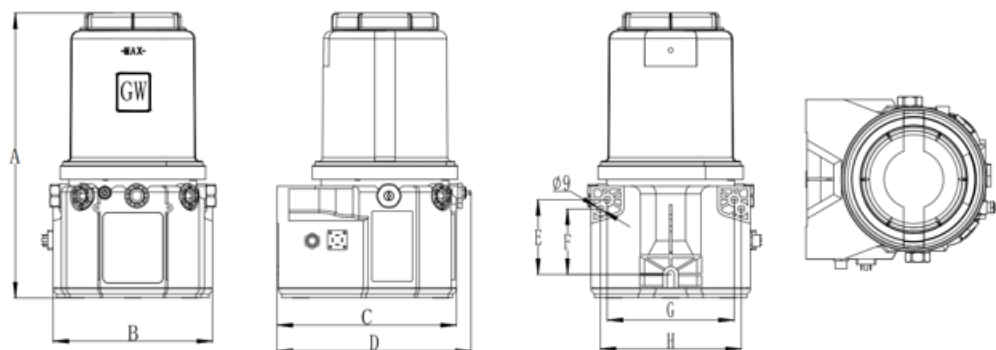
GW pump

Technical information:

TECHNICAL CHARACTERISTICS

Unit of pump outlets	Max 5 outlets
Outlet thread	G1/4
Rated flow	2ml, 3ml, 4ml/min
Operating pressure	35MPa Max
Reservoir Capacity	2, 6, 8, 12L
Lubricants	OIL, 000, 00, 0, 1, 2
Operating temperatures	-40-90°C

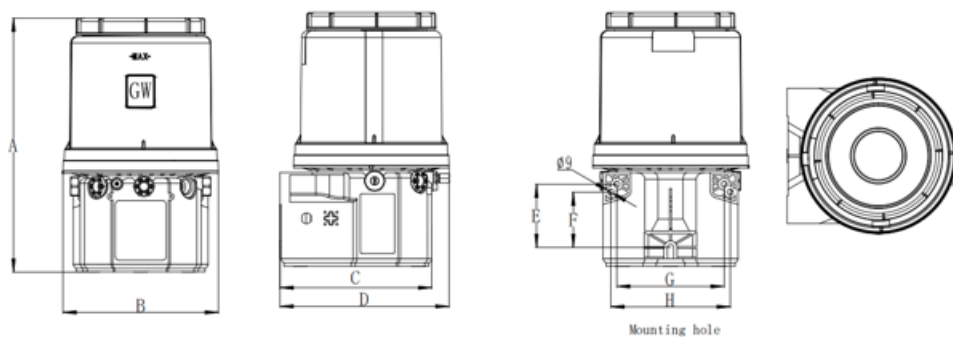
2L Dimensions (mm) :



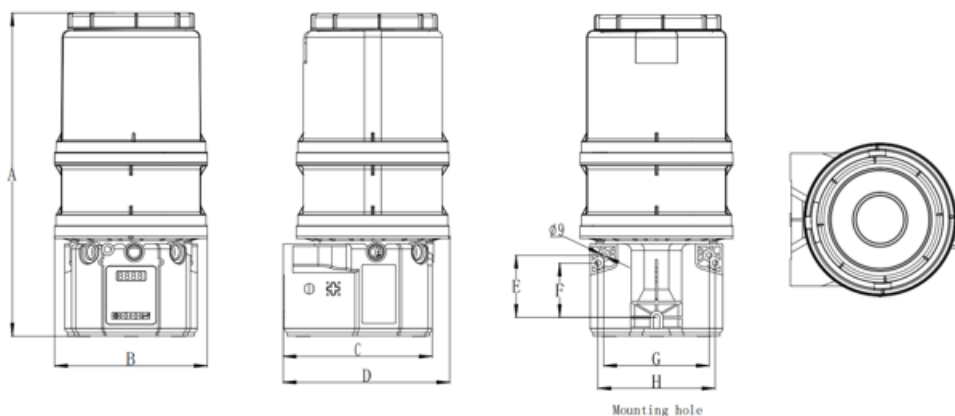
Reservoir	A	B	C	D	E	F	G	H
2L	365	204	229.5	248	95.5	83.5	162.5	180.5



6L&8L Dimensions (mm) :



Reservoir	A	B	C	D	E	F	G	H
6L	385	235	229.5	255.5	95.5	83.5	162.5	180.5



Reservoir	A	B	C	D	E	F	G	H
8L	498	235	229.5	255.5	95.5	83.5	162.5	180.5



Ordering information:



24- D 2 4 1 L G F

Type D = Stir	
Reservoir 2=2L 6=6L 8=8L 12=12L	
Voltages 2=12VDC 4=24VDC 6=90-240VAC	
Timer 1 = with timer 6 = without timer	
Low Level L= with level M= without level	
Lubricant G= Grease O= Oil	
Fill Type Blank = Grease Nipples F= Quick connection	



VSP VALVE

VSP modular distributor valve can ensure accurate lubrication

Maximum Operating Pressure
25Mpa



Characteristics

- Three kinds of thread are available:
- R, NPT, BSPP
- Nickel-plated steel
- Oil-NLGI 2
- FKM O RING
- CE certification

VSP modular distributor valve

VSP modular distributor valve can ensure accurate lubrication, and is suitable for all kinds of harsh conditions, is a perfect lubricant distributor solution

The divider consists of two main parts:

- THE BASE (consisting of a minimum of three elements)
- THE METERING VALVES (available with both a single outlet as well as a double one)

To maximize the performance of the plant, it is crucial to use electrical monitoring elements that detect malfunctioning or system blockage.

Thanks to its modularity, the system can be easily expanded and replacement of metering elements can occur without removing the pipework, thereby guaranteeing low maintenance costs. The modularity of the dividers furthermore allows you to bundle lubrication points according to system requirements.

Typical applications: automobile, industrial, equipment, wind power, construction machinery, etc.

Modular overall supply, save assembly time for customers.

Stainless steel is available.

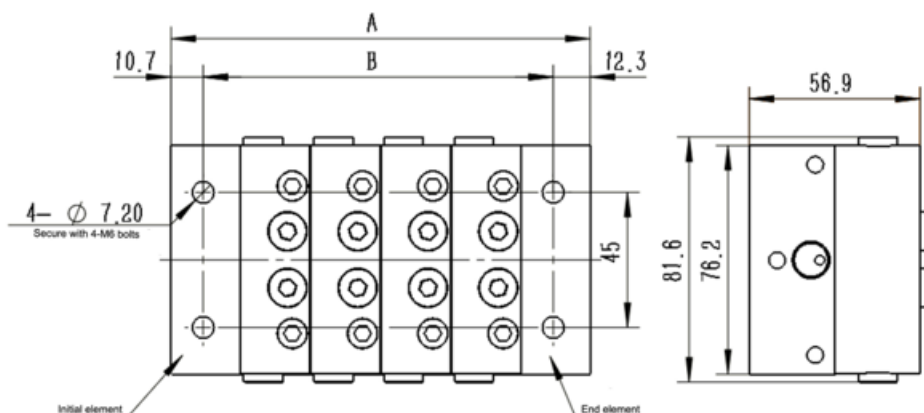


TECHNICAL CHARACTERISTICS

Operating pressure	MAX. 250 Bar, 3625 psi
Standard displacement	0.08 ~ 1.3ml/cyc
Lubricant	Oil32 CST ~ Grease NLGI 2
Operating temperatures	- 30°C ~ 150°C
Maximum cycle speed with cycle indicator	60cyc/min
Number of lubricating points available	3~22 point



Dimensions:



Number of work	A(mm)	B(mm)	Number of work	A(mm)	B(mm)
3	116.8	91.4	6	188	160
4	127	114.3	7	210.8	185.4
5	162.6	137.2	8	233.7	208.3

Note: A and B in the above table are theoretical values, which may have errors with real objects due to the influence of cumulative assembly errors of distributors.

Ordering information:

VSP block model (Comprising an inlet, a middle block, a tail block, a connecting rod and a nut)

Ref	Maximum export quantity	Number of Sections	Model		Dimensions (for reference only)	
			R	G	A	B
2/3/4/5/6	6	3	56R03	56G03	3.6in (116.8mm)	4.6in (91.4mm)
	8	4	56R04	56G04	4.5in (127.0mm)	5.0in (114.3mm)
	10	5	56R05	56G05	5.4in (162.6mm)	6.4in (137.2mm)
	12	6	56R06	56G06	6.3in (188.0mm)	7.4in (160.0mm)
	14	7	56R07	56G07	7.3in (210.8mm)	8.3in (185.4mm)
	16	8	56R08	56G08	8.2in (233.7mm)	9.2in (208.3mm)

To order 316L stainless steel, please add suffix -SS to the order number



VSP distributor

Model of VSP distributor valve

Working valve block of VSP valve (must be ordered in multiples of 5)

Ref	out	Description	in ² (cm ²)	Model		
				Standard valve block	With circulating pin-right	With circulating pin-left
1	Single	VSP-5S	0.010(0.16)	61911	Not applicable	
		VSP-10S	0.020(0.33)	61912		
		VSP-15S	0.030(0.49)	61913		
		VSP-20S	0.040(0.66)	61914	61914RD	61914LD
		VSP-25S	0.050(0.82)	61915	61915RD	61915LD
		VSP-30S	0.060(0.98)	61916	61916RD	61916LD
		VSP-35S	0.070(1.15)	61917	61917RD	61917LD
		VSP-40S	0.080(1.31)	61918	61918RD	61918LD
	Twins	VSP-5T	0.005(0.08)	61919	Not applicable	
		VSP-10T	0.010(0.16)	61920		
		VSP-15T	0.015(0.26)	61921		
		VSP-20T	0.020(0.33)	61922	61922RD	61922LD
		VSP-25T	0.025(0.41)	61923	61923RD	61923LD
		VSP-30T	0.030(0.49)	61924	61924RD	61924LD
		VSP-35T	0.035(0.57)	61925	61925RD	61925LD
		VSP-40T	0.040(0.66)	61926	61926RD	61926LD

VSP overall model ordering information

Type	Elements Number	Model	Inlet oil pipe diameter	Outlet oil pipe diameter	Proximity sensor	Material
VSP	3-11	See the selection table	12 - Ø12mm	8 - Ø8mm	NO - Blank	NO—Carbon steel
Ordering example:			10 - Ø10mm	6 - Ø6mm	W-With proximity sensor	SS-316L
VSP-3-5S/5S/5S-12-S6-RD-W-SS			8 - Ø8mm			
			6 - Ø6mm			





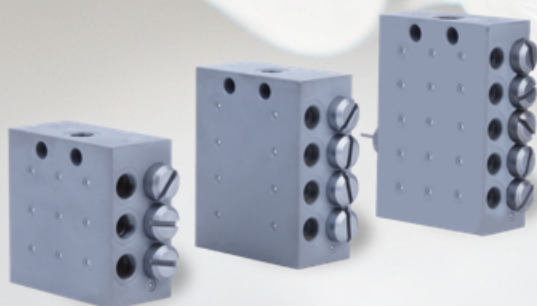
VSP-	3	10SR/10T/10T	10	K8	RD	
Element Number 3-11						
Flow rate (cm³)						
<i>Single</i>		<i>Twins</i>				
5S= 0.16		5T=0.08				
10S= 0.33		10T=0.16				
15S= 0.49		15T=0.26				
20S= 0.66		20T=0.33				
25S= 0.82		25T=0.41				
30S= 0.98		30T=0.49				
35S= 1.15		35T=0.57				
40S= 1.31		40T=0.66				
Single Outlets						
SL= Left single exit						
SR= Right single exit						
Inlet Connector						
A=Without inlet and outlet connectors						
6=Ø6						
8=Ø8						
10=Ø10						
12=Ø12						
Outlet Connector						
S6= Ø6mm Fitting with check valve						
K6= Ø6mm Quick Fitting						
M6=Ø6mm Nut and ferrule						
S8= Ø8mm Fitting with check valve						
K8= Ø8mm Quick Fitting						
M8=Ø8mm Nut and ferrule						
Cycle Control						
RD = With circulating pin-right						
LD = With circulating pin-left						
Proximity sensor						
Blank = No Proximity sensor						
W = With Proximity sensor						



DSP VALVE

For the progressive delivery of
mineral oil and grease for lubrication.
For Professional Use Only.

Maximum Operating Pressure - 5075 psi
(350 bar, 35 MPa)



Integral Leakless High Pressure Distributor Valve

The DSP is a single block progressive divider valve that is ideal for applications where space is limited.

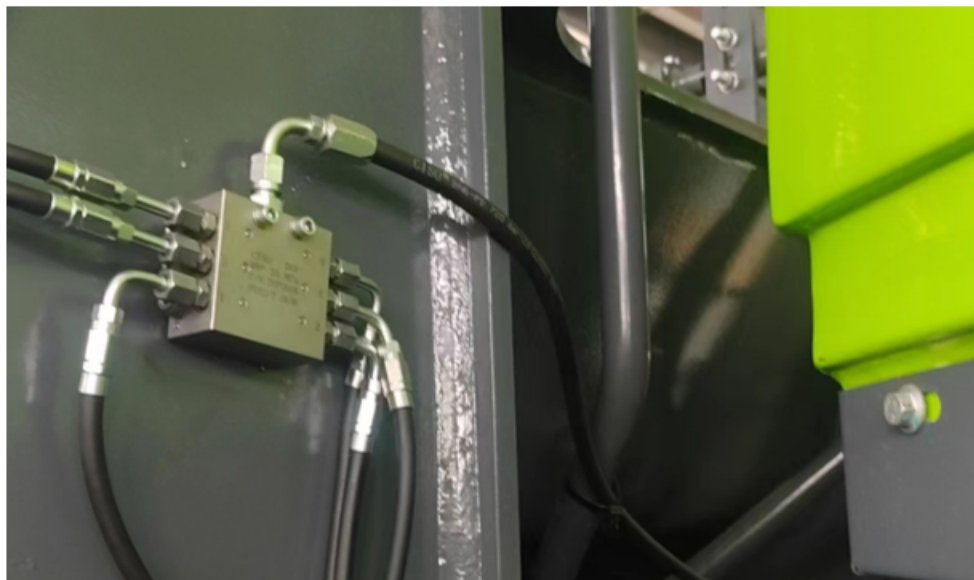
It is available in 6,8,10,12,18,20 and 22 outlet versions, each with an output of 0.2 cm³ inch per cycle.

The single output of the dosing device may be combined with the one located adjacent by eliminating the special fitting and applying a plug.

An outlet can also be merged with the sequential outlet on the block by removing the special outlet fitting and installing a plug.

Visual or electronic monitoring can be achieved simply by removing a plug and installing a visual or electronic add-on device as shown below. The spools in a progressive metering valve operate sequentially partitioning equally across the outlets, the grease being pumped into the metering block inlet. In the event of a blocked lubrication point all the spools will stop, thereby allowing the user to monitor the entire system with a single monitoring device.

The grease pumped inside of the block is distributed by the piston dispensers of the progressive dosing device equally among the different outputs. In case a single output becomes blocked, the pistons stop their activity allowing for the control of the entire system by means of a single device for this purpose.

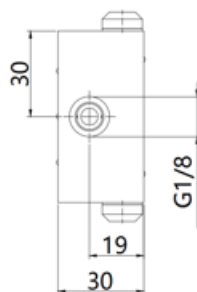
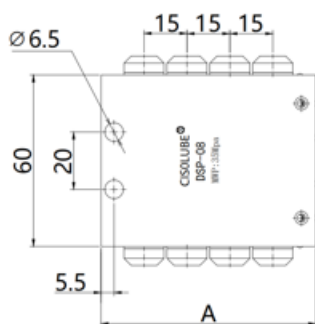


Features and general description



Technical data	
Operating pressure	From 20 to 350 Bar
Lubricants	Oil- NLGI 2
Operating temperature	-40 °C to 200 °C
Discharge (for outlet)	0.2ml/cyc
Inlet port	G1/8
Outlet port	M10x1
Outlets	From 6 to 22
Piston cycles	Max 200 cyc/min

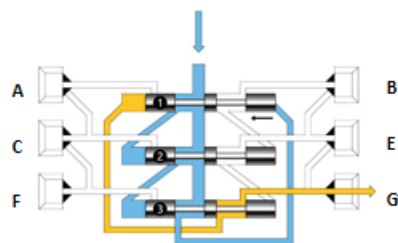
Dimensions:



Outlets	A/mm
6	60
8	75
10	90
12	105
14	120
16	135
18	150
20	165
22	180

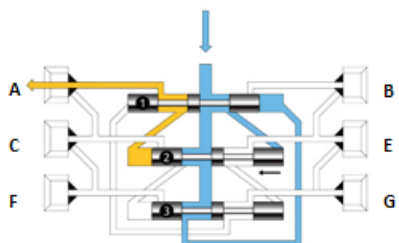


Features and general description



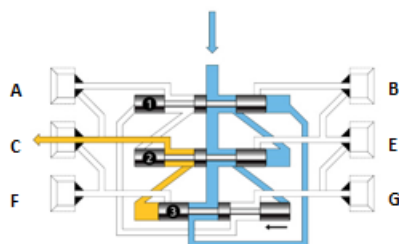
1

Lubricant low pressure (blue) moves piston 1 to the left allowing lubricant discharge (yellow) from G.



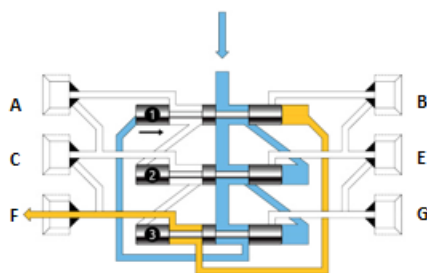
2

When piston 1 reaches its limit, lubricant low pressure (blue) operates on piston 2. Lubricant volume (yellow) discharge from A.



3

When piston 2 reaches its limit, lubricant low pressure (blue) operates on piston 3. Lubricant volume (yellow) discharge from C.

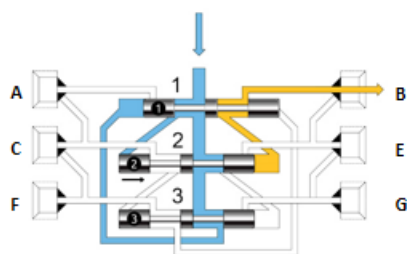


4

When piston 3 reaches its limit, lubricant low pressure (blue) operates on piston 1. Lubricant volume (yellow) discharge from F.

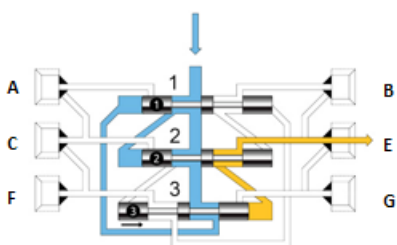


Features and general description



5

When piston 1 reaches its limit, lubricant low pressure (blue) operates on piston 2. Lubricant volume (yellow) discharge from B.



6

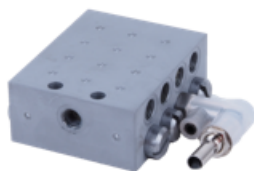
When piston 2 reaches its limit, lubricant low pressure (blue) operates on piston 3. Lubricant volume (yellow) discharge from E. The system is ready for a new cycle.

Visual pin



The visual pin shows the piston movement, monitoring the proper operation of the entire system.

Inductive control



Voltage	6-30 V DC
Outlet current	Max 200 mA
Operating temperature	- 30 °C to +70 °C
Protection	IP 67
Sensor housing	Stainless steel
Sensor block	Pet-G
Connection	M8x1



Ordering Number Without inlet and outlet fittings

Standard



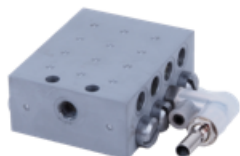
Outlets	Standard
6	31N03
8	31N04
10	31N05
12	31N06
14	31N07
16	31N08
18	31N09
20	31N10
22	31N11

With visual pin



Outlets	P.N
6	33V03
8	33V04
10	33V05
12	33V06
14	33V07
16	33V08
18	33V09
20	33V10
22	33V11

With inductive sensor



Outlets	P.N
6	33M03
8	33M04
10	33M05
12	33M06
14	33M07
16	33M08
18	33M09
20	33M10
22	33M11



DSP distributor

Ultra sensor



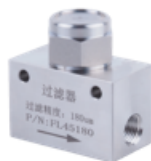
P.N	Description
124581	M12 4Core

BANJO with grease nipple inlet assembly



P.N	Thread M	Thread F
31M10	M10x1	M10x1
31M18	G1/8	M10x1

Inset filter



P.N	Rate	Thread	Material
FL45180	180 μ	R1/4 inside	SS
FL45125	125 μ	R1/4 inside	SS
AL45180	180 μ	R1/4 inside	AL
AL45125	125 μ	R1/4 inside	AL

Inset filter 70 μ 

P.N	Thread
31F10	M10x1



Ordering information



DSP- [] [06] [08] [D] [C04] [] [K6]

<p>Blank = Zn-Ni plated A= Plating black</p>	Line connecting to the first empty box in the code.
<p>Outlet Number 06=6 08=8 10=10 And so on</p>	Line connecting to the '06' box in the code.
<p>Inlet Connector A= Without inlet and outlet fittings 06=Ø6mm 08=Ø8mm</p>	Line connecting to the '08' box in the code.
<p>Inlet Connector shape D= Straight fitting assembly H= Angle fitting assembly</p>	Line connecting to the 'D' box in the code.
<p>Type Blank= without pin Visual Pin Cxx= Which exit to install Inductive sensor Exx= Which exit to install</p>	Line connecting to the 'C04' box in the code.
<p>Plug XD=3-20</p>	Line connecting to the second empty box in the code.
<p>Outlet Connector S6= Ø6mm Fitting with check valve K6= Ø6mm Quick Fitting M6=Ø6mm Nut and fellule</p>	Line connecting to the 'K6' box in the code.



VB VALVE

For the progressive delivery of mineral oil and grease for lubrication.

For Professional Use Only.

Maximum Operating Pressure - 3600 psi
(250 bar, 25 MPa)



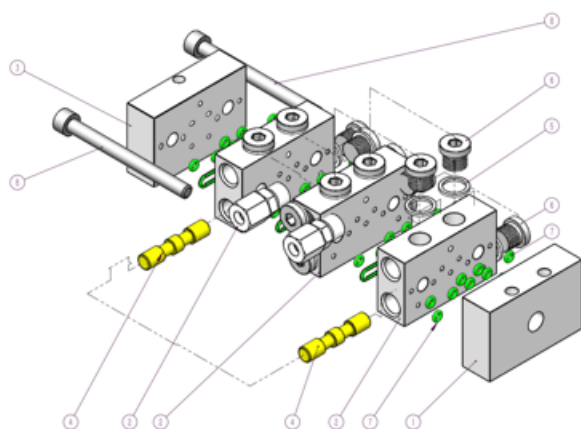
VB PROGRESSIVE DISTRIBUTOR

A typical VB distributor valve consists of a "first piece", a "tail piece" and 3 to 10 working pieces. Can provide 3 to 20 lubrication points of lubrication, VB distributor valve working piece, a variety of specifications of displacement for selection. The double outlet working piece (after the specification value of the working piece, the T represents the double outlet) has two oil outlets, which can be set as the side or upper output; the single outlet (after the specification value of the working piece, the S represents the single outlet) has one oil outlet, which can be at either end of the working piece, and the other end needs to be blocked. Note: that the double outlet working piece should not block any outlet, otherwise it will affect the normal operation.

Magnetic and electronic proximity switch cycle indicators can be easily configured to provide positive protection for successful lubrication.



Product composition



- 1 — Initial element
- 2 — End element
- 3 — Divider element
- 4 — Plunger
- 5 — Sasket
- 6 — Plug
- 7 — O-ring:FKM(-20°C~200°C)
- 8 — Screw

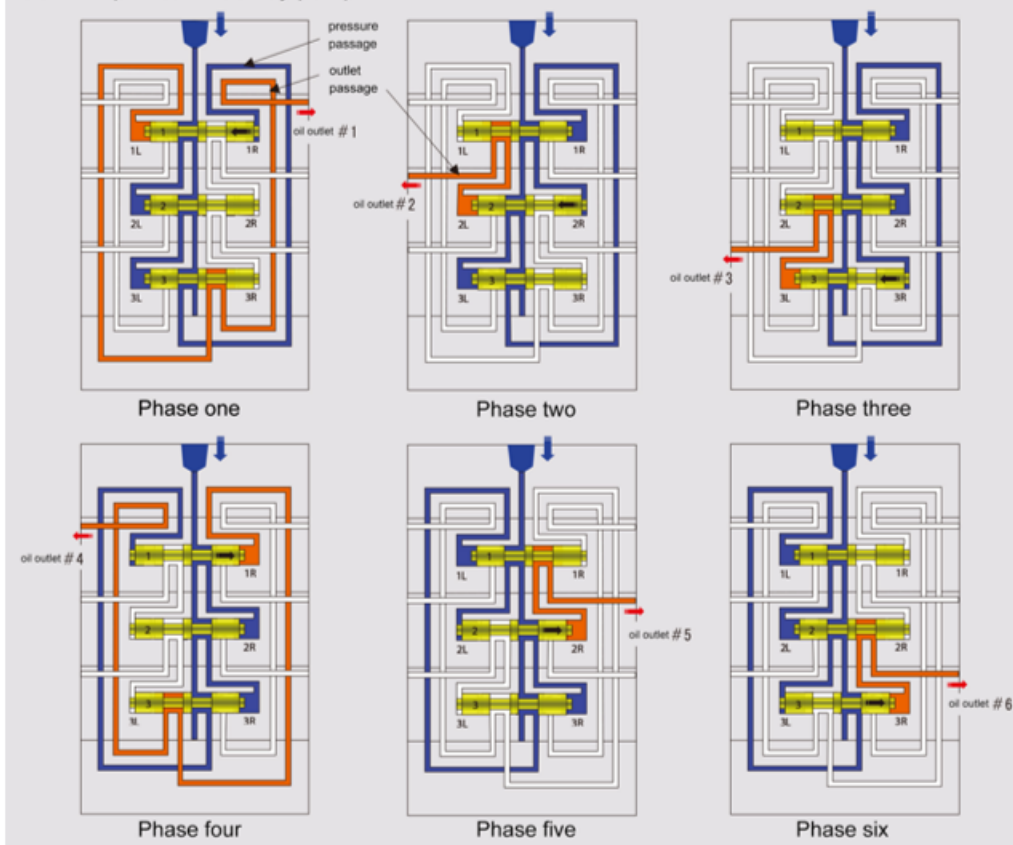
Technical data

Operating pressure	Max 250 bar
Lubricants	Oil 46 cSt to Grease NLGI-2
Operating temperature	-40 °C to 110 °C
Inlet port	R1/8
Outlet port	M10x1
Outlets	MAX 20
Max inlet	Max 280cyc/min
Coating	Zinc-Nickel plated



Structure and working principle

Lubricant pressurization: by pump



The pumped lubricant is pressed into the distributor through the first oil inlet.

First assume that the 3 plungers of the valve body are all located on the right side, and the inflowing lubricant will enter the 1R, 2L, 3L sides of the valve chamber.

Stage One

The lubricant flowing into the valve chamber 1R pushes the plunger 1 to the left end, and the plungers 2 and 3 are fixed. The plunger 1 moves from right to left, while the lubricant in the 1L valve chamber flows along the oil outlet from the oil #1 squirting.

Stage Two

When the plunger 1 moves to the left end and stops, the lubricant pressure of the push plunger 1 is transferred to the valve chamber 2R side, the push plunger 2 moves from the right to the left, and the lubricant at 2L is sprayed from the oil outlet #2.

Stage Three

When the plunger 2 stops at the left end, the pressure drop of the lubricant in the push plunger 2 is transferred to the valve chamber 3R side, the push plunger 3 moves from the right to the left, and the lubricant located in the valve chamber 3L is ejected from the oil outlet #3. When plunger 3 stops at the left end, all plungers will be on the left.

Stage Four ~ Stage Six

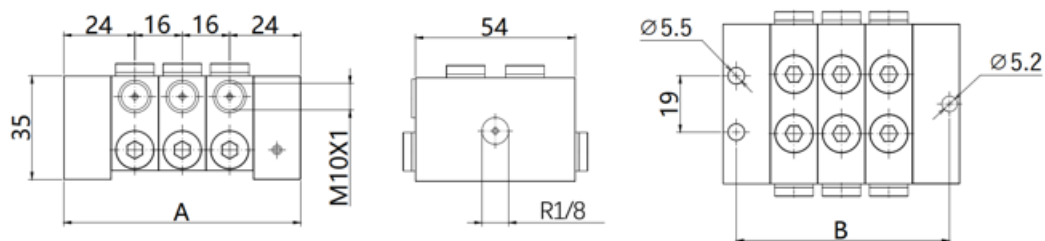
Then start from the plunger 1 and push it from the left to the right, the lubricants in the valve chambers 1R, 2R, 3R are sprayed from the oil outlets #4, #5, #6.

The above process of stages 1-6 is repeated as the lubricant continues to be delivered to the dispenser.



VB distributor

Dimensions



Number of work	A(mm)	B(mm)	Number of work	A(mm)	B(mm)
3	80	72	7	144	136
4	96	88	8	160	152
5	112	104	9	176	168
6	128	120	10	192	184

Notes: A and B in the above table are theoretical values, which may have errors with real objects due to the influence of cumulative assembly errors of distributors.

Elements specification	Discharge (for outlet) (ml/cyc)	Max. Pressure	Min. Pressure	Number of oil outlets per piece
VB-05S	0.16	25Mpa	1.4Mpa	1
VB-05T	0.08	25Mpa	1.4Mpa	2
VB-10S	0.32	25Mpa	1.4Mpa	1
VB-10T	0.16	25Mpa	1.4Mpa	2
VB-15S	0.48	25Mpa	1.4Mpa	1
VB-15T	0.24	25Mpa	1.4Mpa	2
VB-20S	0.64	25Mpa	1.4Mpa	1
VB-20T	0.32	25Mpa	1.4Mpa	2



Ordering information



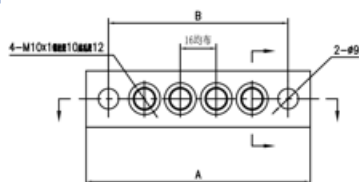
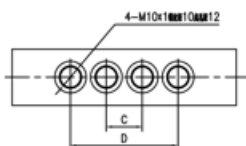
VB- 3 6 10T/10T/10SR [] [] K6

Element Number 3-8	VB- 3
Inlet Connector A=Without inlet and outlet connectors 6=Ø6 8=Ø8	VB- 6
Flow rate (ml) 05= 0.08 10= 0.16 15= 0.23 20= 0.32	10T/10T/10SR
Outlets T= Double exit SL= Left single exit SR= Right single exit	[]
Cycle Control UL= Proximity sensor /Left UR= Proximity sensor /Right VL= Visible left VR= Visible Right	[]
Pressure Control M= Safety valve P= Indicator rod (10Mpa、15Mpa、20Mpa)	[]
Outlet Connector S6= Ø6mm Fitting with check valve K6= Ø6mm Quick Fitting M6=Ø6mm Nut and ferrule	K6



Manual Grease lubrication system components

VSD distributor block:

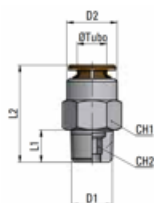


Specifications and parameters

Part Number	Out Thread	Out Number	A	B	C	D
VSD-04KT	M10*1	4	100	80	16	48
VSD-06KT	M10*1	6	132	112	16	48
VSD-09KT	M10*1	9	180	128	16	48
VSD-12KT	M10*1	12	228	208	16	48

* Non-standard manual lubrication of the oil separator can be customized according to customer requirements, and the complete scheme of butter nozzle and quick connector and oil transfer hose can also be integrated. Detailed plans can be consulted with your sales manager.

Straight Push-in fitting



Straight fitting assembly



Part Number	Ø Tubo	D1	D2	L1	L2	Part Number	Ø Tubo	Thread	Material
MP1104M10	Ø4	M10*1.0	9	8	20	5DM0410	Ø4	M10*1	Carbon steel
MP1106M10	Ø6	M10*1.0	12	8	22	5DM0610	Ø6	M10*1	Carbon steel

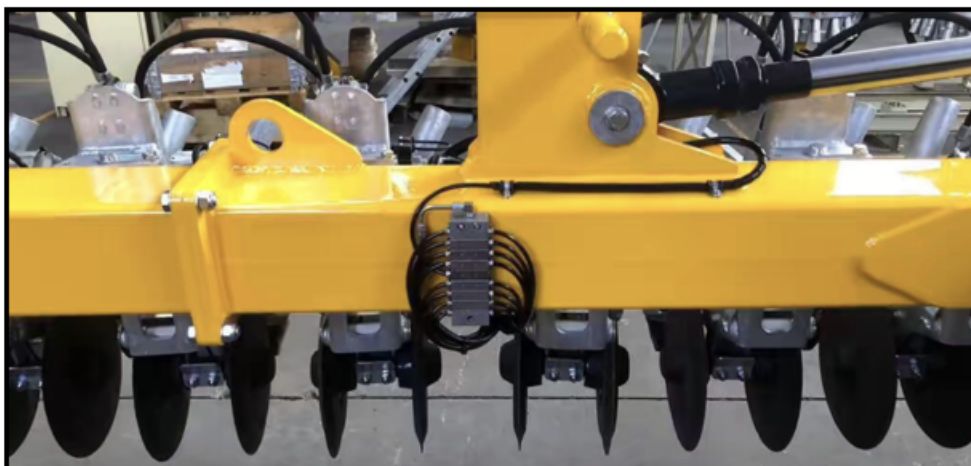
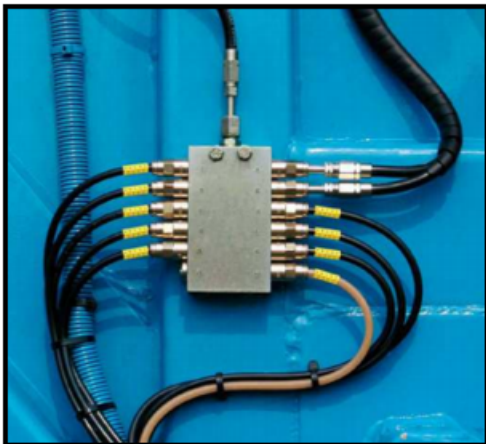
Grease Nipples



Part Number	Thread	Material
3NP10	M10*1	Nickel-plated









Chain lubrication systems

The system can be used for products with chain drive such as harvesters, balers, harvesters and mowers. Good lubrication can slow the impact, reduce friction, extend the service life of the chain.



The main components of the system

- Compact structure and easy expansion
- No need for a distributor
- The pipes are smooth and have no residue
- Multiline output
- Adjustable displacement

PMV pump



- Plunger structure
- Single wire installation
- Solid pump body
- High performance cost ratio
- Flow stability

PMM pump



- Plunger structure
- Solid pump body
- No motor and controller required
- Equipped with inlet and outlet check valve
- High performance cost ratio
- Adjustable displacement

PMN pump



Characteristics

- 6-12 Outlets
- AVP Piston
- Material:
Cast iron
- Aluminium base
- Flow rate is easy to adjust
- The pump has been tested for 1000 hours of lubricant-free operation
- Suitable for harsh environments

THE SYSTEM FOR AGRICULTURAL MACHINERY CHAIN



PMV is a multi-point piston pump operated by a cam system and designed to feed several independent lines up to a maximum of 12 outlets.

Characterised for its robustness and reliability, it is particularly suitable for lubricating systems installed in difficult environments.

The pump is designed to supply single-point lubrication systems in agricultural machinery and various kinds of machinery for use with oil.

The "PMV" pump is designed to operate with a maximum of six pistons, which are easily adjustable on 12 outlets.

The pump is designed for merging outlets (to be defined during the order phase); the same will be provided directly to the merged outlets according to your specifications. Merging the two outlets will allow for the nominal flow rate of a single outlet to be doubled.

Advantage

Applications

- COMBINE HARVESTERS
- ROUND BALERS
- PICKER
- MOWER
- SPREADER
- DISC MOWERS

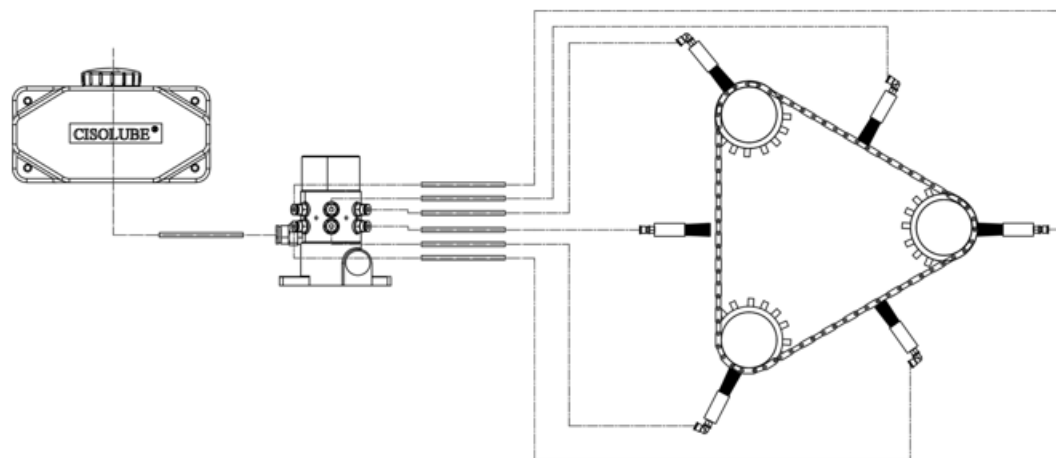
- Improve machine reliability
- Significantly reduce maintenance costs
- Economizing lubricant
- The reservoir can be placed within 0,5 m above or below the pump
- The PMV pump can operate for up to 1000 hours without oil and will not get stuck without refueling.
- Single-piston flow regulation is simple and fast
- The piston and flow are regulated parallel to the outlet
- The PMV pump is reversible, which means that its direction of rotation is not affected by mechanically driven steering



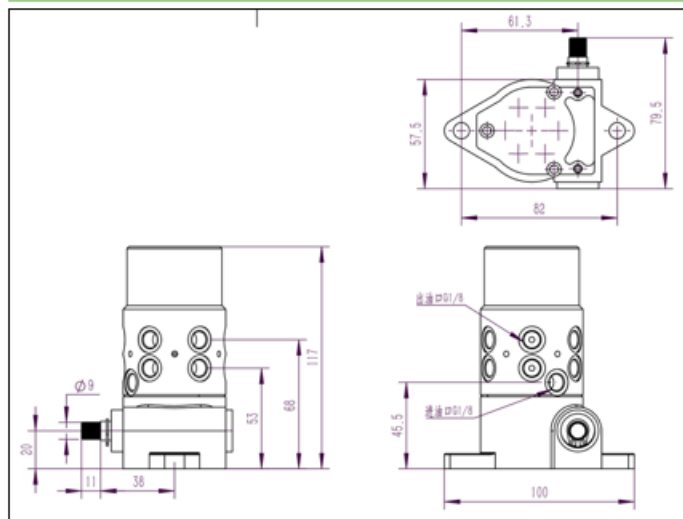
PMV multi-line chain lubrication pump

Technical Data	
Inlet	Ø8, Ø10
Reservoir	4L, 7L
Suction height	≤500mm
Filter Rate	20µm
Output	Ø 4
Ratio	7.6: 1 11.5: 1 25: 1 50: 1
Operating pressure	Max 10Bar
Output rate	Max 0.06cc/cyc
Viscosity range	25-1500cst

Structure diagram

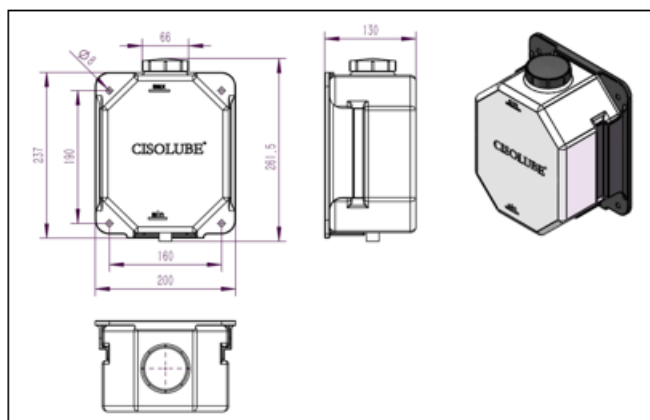


Dimensions (mm)

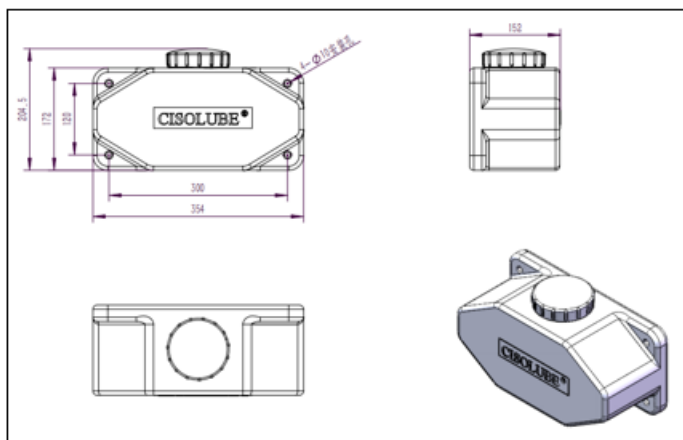


PMV pump

4L Reservoir with filter



7L Reservoir with filter

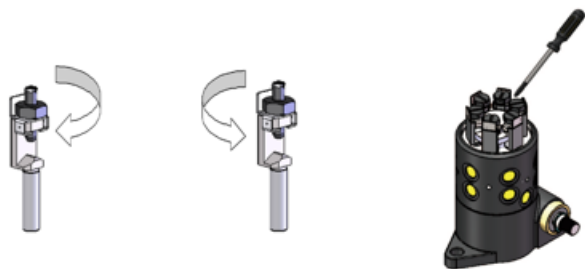


PMV multi-line chain lubrication pump

Displacement adjustment

The displacement of the outlet can be adjusted with a screwdriver, and the use of electric tools is prohibited

No exit can be closed! The outlet that is not used must have the displacement adjusted to 0 and use a special plug.



Please adjust after shutdown

Justification range

Frequency	Displacement $\pm 10\%$
0	60 mm ³ / stroke
1	57 mm ³ / stroke
2	53 mm ³ / stroke
3	50 mm ³ / stroke
4	47 mm ³ / stroke
5	44 mm ³ / stroke
6	41 mm ³ / stroke
7	37 mm ³ / stroke
8	34 mm ³ / stroke
9	31 mm ³ / stroke
10	27 mm ³ / stroke
11	24 mm ³ / stroke
12	21 mm ³ / stroke
13	17 mm ³ / stroke
14	14 mm ³ / stroke
15	11 mm ³ / stroke
16	8 mm ³ / stroke
17	4 mm ³ / stroke



PMV pump



P.N	Inlet OD	Ratio
P12M10076	Ø10	7.6 : 1
P12M08076	Ø8	7.6 : 1
P12M10115	Ø10	11.5:1
P12M08115	Ø8	11.5:1
P12M10025	Ø10	25:1
P12M08025	Ø8	25:1
P12M10050	Ø10	50:1
P12M08050	Ø8	50:1

Reservoir 4L



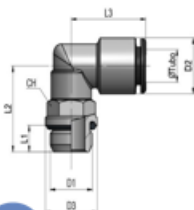
P.N	Technical specifications
RV08E04	Outlet OD 8mm; With filter
RV10E04	Outlet OD10mm; With filter

Reservoir 7L



P.N	Technical specifications
RV08E07	Outlet OD 8mm; With filter
RV10E07	Outlet OD10mm; With filter

Elbow Fitting, male 2Mpa

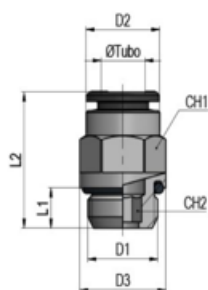


P.N	OD	D1	D2	L1	L2	Usage
AP160418	Ø4	G1/8	9	7.5	20	Pump outlet, brush



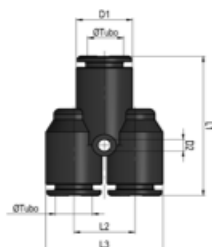
Order Information

Straight Push-in fitting , male 2Mpa



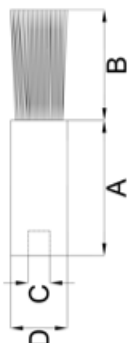
P.N	OD	D1	D2	L1	L2	Usage
AP120814	Ø8	G1/4	12	8	25.5	Reservoir outlet
AP121014	Ø10	G1/4	12	8	25.5	Reservoir outlet
AP120418	Ø4	G1/8	9	7.5	18.5	Pump outlet, brush
AP120818	Ø8	G1/8	9	8	20	Pump inlet
AP121018	Ø10	G1/8	12	8	25.5	Pump inlet

Tee Fitting



P.N	OD	D1	D2	L1	L2	L3
AP290404	Ø4	10	3.13	33	5.8	21.5

Brushes



P.N	A	B	C	D	Material
MS-B01	55	44.8	G1/8	15	NYLON
MS-B02	55	44.8	G1/8	31.3	NYLON



Characteristics

- Dosing elements are required
- Material: steel
- Sturdy construction
- Adjustable displacement
- The pump has been tested for 1000 hours without lubricant
- Suitable for harsh environments

Application

- Bundling machine
- Combine harvester
- Pickup machine
- Field mower
- Fertilizer applicator

Adjustable automatic oil lubrication for bearings, chains & sprockets. Purpose designed for agricultural field equipment.

For agricultural field equipment and harsh environment, the system is concise, durable, unique and simple design makes it has the characteristics of stable performance and simple operation.

The PMM is a highly cost-effective chain lubrication system. It is characterized by a strong structure, reliable use, especially suitable for the lubrication system installed in the harsh environment.

The pump is designed to supply dilute oil to single point lubrication equipment for agricultural vehicles and various machinery.

The PMM is a mechanically driven pump powered by the rotating shaft of farm equipment. With a unique cam patent design, 8 gears can adjust the output frequency of the pump, so as to achieve the purpose of adjusting the displacement. It is necessary to form a complete chain lubrication system with the main line, metering components and subpipelines.

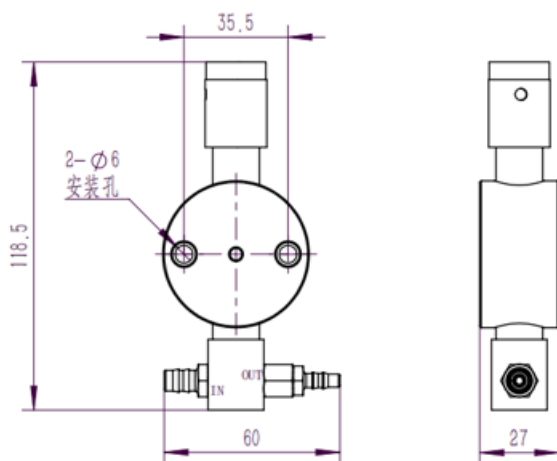
**Advantage**

- A choice of reservoirs supply filtered oil to the pump.
- No motor and controller required, synchronized with the chain
- Significantly reduce maintenance costs
- Pump operated by adjustable cam or reciprocal machine cycle.
- Metered lubrication of each area as required
- Easily adjustable overall output to suit varying operating conditions via unique adjustable cam offering a choice of 8 preset outputs.
- Protected nylon brushes ensure a reliable and accurate feed of oil onto the chains ensuring pins are well lubricated.
- The pump is extremely robust and suitable for use in harsh environments
- A single system oils bearings and chains of any size in any combination.
- Helps keep chains oiled above the level where dust collects and grinding paste can form.

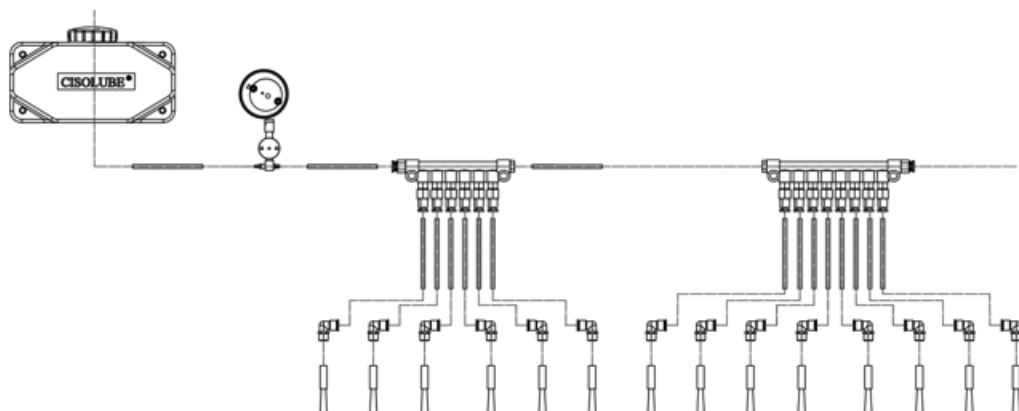


PMM multi-line chain lubrication pump

Dimensions(mm)



Structure diagram



Ordering information

PN.	Part number	Order number	Description
Pump	PMM	27050	Max.2ml / time,Max.280 rpm/min
CAM	CAM	27051	8 preset outputs



Characteristics

- Dosing elements are required
- Material: Aluminum
- Small size
- Adjustable displacement
- Suitable for harsh environments
- Immediate response

Application

- Bundling machine
- Combine harvester
- Pickup machine
- Field mower
- Fertilizer applicator

PIISTON PUMP WITH CAM DRIVE

Simple design, strong structure, easy to install, especially suitable for agricultural machinery.

Use in harsh environments.

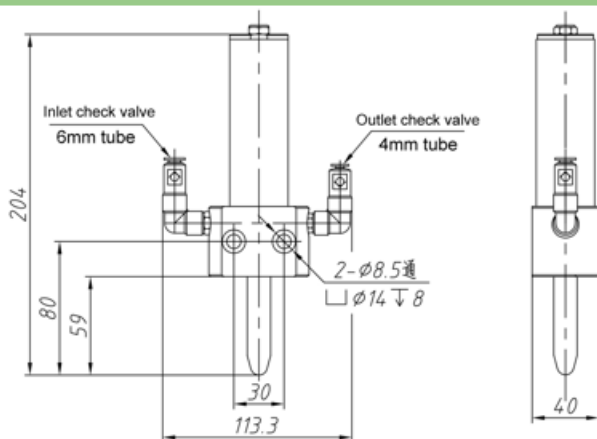
The PMN lubrication system made up of a 4 or 7 litre reservoir with suction filter, metering pieces and brushes Lubrication system, the demand of each lubrication point can be adjusted by adjusting the metering parts .The volume can be set, and the total system can also be adjusted by the PMN plunger motion stroke Total oil output.

The PMN system is especially suitable for the chain lubrication requirements of agricultural equipment such as round baler and harvester. For the reason that the push rod is driven by the drive device on the side of the rear compartment door, the drive system follows the stroke of the piston (15mm maximum) and the maximum number of strokes (5 strokes / minute).

PMN lubrication pumps are also suitable for other lubrication requirements, such as gearbox, guide rail, chain, etc., and also for applications that need to maintain constant pressure lubrication.

**Advantage**

- No motors and controller
- Significantly reduce maintenance costs
- Simple installation, small size
- Metered lubrication of each area as required
- Protect the lubricated parts with an uninterrupted frequency

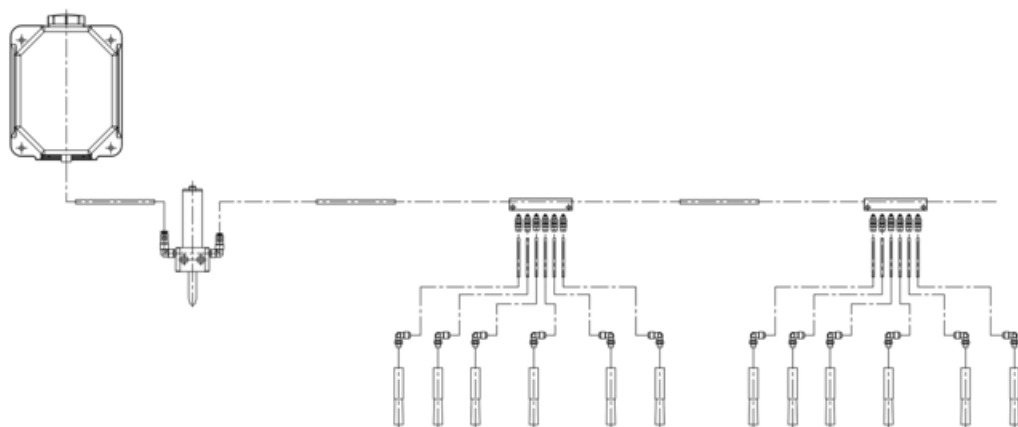
Dimensions(mm)

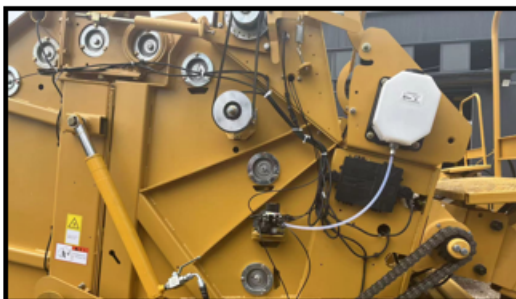
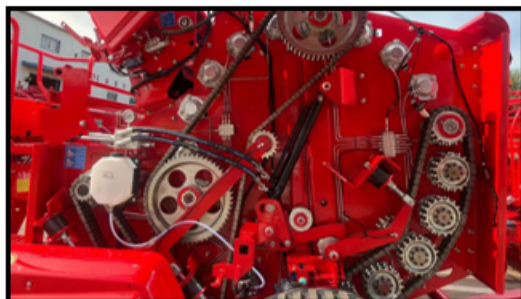
PMN multi-line chain lubrication pump

Ordering information

P.N	Part number	Order number	Description
Pump	PMN	27051	

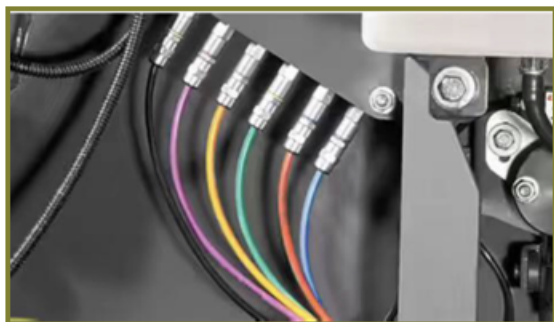
Structure diagram



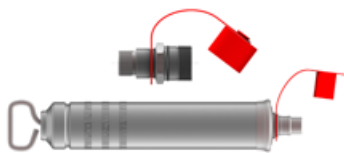




SIMPLE SOLUTIONS to
PRECISE LUBRICATION



Follower plate and grease gun kits



Part number	Grease fitting	Grease fitting
MG500	Grease Gun Kits	Standard Connector
MG500-C	Grease Gun Kits	Grease fitting with check valve

Part number	Description	Oil drum
95660C	Follower Plate	16KG

Electric lubrication pump accessories

Pump outlet assembly



Grease filling connector



Part number	Description	Pressure	OD	Part number	Description	Thread
80532PG	With pressure gauge	10MPa	6mm	80220	Male connector	R1/4
80532PG-8			8mm	80221	Female connector	R1/4
80532	Without pressure gauge		6mm			
80532-8			8mm			
80533PG	With pressure gauge	25MPa	6mm			
80533PG-8			8mm			
80533	Without pressure gauge		6mm			
80533-8			8mm			



GT Pumping Element



Part number	OD	Rated flow
80536	6mm	K6; 4ml/min
80537	7mm	K7; 5ml/min

Safety valve



Part number	Pressure	Male thread
5FI05	207bar/3000psi	M10*1

Safety valve

GM Pumping Element



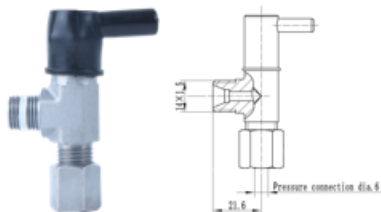
Part number	OD	Rated flow
88535	5mm	P5; 3.3ml/min
88536	6mm	P6; 4ml/min

Safety valve

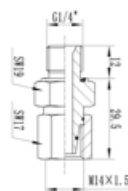


Part number	Pressure	Male thread
5FI07	275bar/4000psi	M10*1

Straight fitting assembly Use with 5FJ01



Part number	OD	Male thread	Pressure
5FJ01	φ6	M14*1.5	345bar/5000psi



Part number	Female thread	Male thread	Material
5G1404	M14*1.5	G1/4 ED	Zinc plated



Controller shield



Description	Part number	Type
PC	97116	GT/GW
PC	97117	GM

Mounting bracket



Description	Part number	Type
Mounting bracket	90234	GT/GW
	90235	GM

Button with green lamp



Description	Part number
12V	90212
24V	90224

Pressure switch



Description	Part number
Adjustable Type	91346
Fixed pressure - 20MPa	96520
Fixed pressure - 25MPa	96521
Fixed pressure - 3.5MPa	96522

Cartridge



Description	Part number	Reservoir
Cartridge	CSL-J100	700CC
	CSL-C100	700CC



Grease lubrication system accessories

Pump connection cable



Description	Part number
DIN; 4Core; 3M	12703
DIN; 4Core; 10m	12710
DIN; 4Core; 15M	12715

Cable for connection of sensor(Low level sensor& pressure switch sensor)



Description	Part number
M12X1; 4Core; 2M	13702

Straight fitting with check valve
Push in 25Mpa



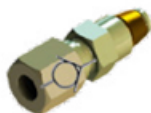
Part number	OD	Thread	Material
FP1104M10	Ø4	M10*1	Zinc plated
FP1106M10	Ø6	M10*1	Zinc plated

Straight fitting Push in 25Mpa



Part number	OD	Thread	Material
HPQ1106M10	Ø6	M10*1	Zinc plated

Straight fitting with check valve 25Mpa



Part number	OD	Thread	Material
5CM0610	Ø6	M10*1	Zinc plated



Straight fitting assembly



Part number	OD	Thread	Material
5DM0602	Ø6	R1/8	Zinc plated
5DM0610	Ø6	M10*1	Zinc plated
5DM0608	Ø6	M8*1	Zinc plated
5DM0606	Ø6	M6*1	Zinc plated
5DM0402	Ø4	R1/8	Zinc plated
5DM0410	Ø4	M10*1	Zinc plated
5DM0408	Ø4	M8*1	Zinc plated
5DM0406	Ø4	M6*1	Zinc plated

Angle fitting assembly



Part number	OD	Thread	Material
5HM0602	Ø6	R1/8	Zinc plated
5HM0610	Ø6	M10*1	Zinc plated
5HM0608	Ø6	M8*1	Zinc plated
5HM0606	Ø6	M6*1	Zinc plated
5HM0402	Ø4	R1/8	Zinc plated
5HM0410	Ø4	M10*1	Zinc plated
5HM0408	Ø4	M8*1	Zinc plated
5HM0406	Ø4	M6*1	Zinc plated

Straight fitting assembly



Part number	OD	Thread	Material
5PM0610	Ø6	NPT1/8	Zinc plated

Straight fitting with check valve



Part number	OD	Thread	Material
S14-06	Ø6	M10*1	Zinc plated



Grease lubrication system accessories

Straight fitting



Part number	Thread	Thread	Material
5GN02	NPT1/8	NPT1/8	Zinc plated

Angle fitting assembly



Part number	OD	Thread	Material
5NM0610	Ø6	NPT1/8	Zinc plated

Straight fitting



Part number	OD	Thread	Material
5SF0610	Ø6	M10*1	Zinc plated

Straight fitting with check valve



Part number	Thread	Thread	Material
5DC10	M10*1	M10*1	Zinc plated

BANJO With grease Nipples



Part number	Thread	Material
31M10	M10*1	Zinc plated

BANJO Without grease Nipples



Part number	OD	Thread	Material
BN0610	Ø6	M10*1	Zinc plated



BANJO



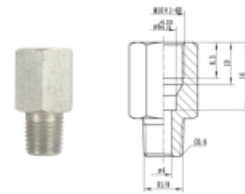
Part number	OD	Thread M	Material
5C0602	Ø6	R1/8	Zinc Color-plated
5C0610	Ø6	M10*1	

Extension fitting assembly



Part number	OD	Thread M	Material
5KM0602	Ø6	R1/8	Zinc plated
5KM0610	Ø6	M10*1	Zinc plated
5KM0608	Ø6	M8*1	Zinc plated
5KM0606	Ø6	M6*1	Zinc plated
5KM0402	Ø4	R1/8	Zinc plated
5KM0410	Ø4	M10*1	Zinc plated
5KM0408	Ø4	M8*1	Zinc plated
5KM0406	Ø4	M6*1	Zinc plated

Straight fitting



Part number	Thread M	Thread F	Material
5G0210	R1/8	M10*1	Zinc plated
5G0808	M8*1	M8*1	
5G0404	R1/4	R1/4	
5G1010	M10*1	M10*1	

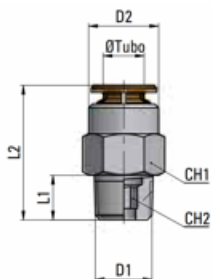
Straight tube-to-tube connectors



Part number	OD	OD	Material
5D0404	Ø4	Ø4	Zinc plated
5D0406	Ø4	Ø6	Zinc plated
5D0606	Ø6	Ø6	Zinc plated
5D0608	Ø6	Ø8	Zinc plated
5D0808	Ø8	Ø8	Zinc plated

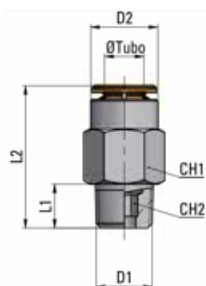


MP11 Taper Straight, Male 10Mpa



Part number	OD	D1	D2	L1	L2
MP110418	Ø4	R1/8	9	7.5	18.5
MP1104M6	Ø4	M6*1.0	9	8	23
MP1104M8	Ø4	M8*1.0	9	8	20
MP1104M10	Ø4	M10*1.0	9	8	20
MP110618	Ø6	R1/8	12	7.5	21.5
MP1106M6	Ø6	M6*1.0	12	8	25.5
MP1106M8	Ø6	M8*1.0	12	8	25.5
MP1106M10	Ø6	M10*1.0	12	8	22

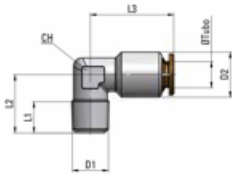
HP11 Taper Straight, Male 25Mpa



Part number	OD	D1	D2	L1	L2
HP110418	Ø4	R1/8	9.5	7.5	21
HP1104M6	Ø4	M6*1.0	9.5	8	25
HP1104M8	Ø4	M8*1.0	9.5	8	25
HP1104M10	Ø4	M10*1.0	9.5	8	22.5
HP110618	Ø6	R1/8	11.5	7.5	24
HP1106M6	Ø6	M6*1.0	11.5	8	28
HP1106M8	Ø6	M8*1.0	11.5	8	28
HP1106M10	Ø6	M10*1.0	11.5	8	24.5

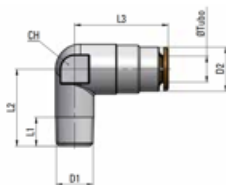


MP14 Taper Elbow Fitting, Male 10Mpa



Part number	OD	D1	D2	L1	L2
MP140418	Ø4	R1/8	9	7.5	15.5
MP1404M6	Ø4	M6*1.0	9	8	17
MP1404M8	Ø4	M8*1.0	9	8	17
MP1404M10	Ø4	M10*1.0	9	8	18
MP140618	Ø6	R1/8	12	7.5	15.5
MP1406M6	Ø6	M6*1.0	12	8	17
MP1406M8	Ø6	M8*1.0	12	8	17
MP1406M10	Ø6	M10*1.0	12	8	18

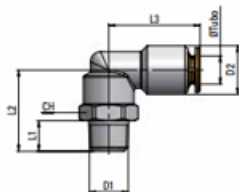
HP14 Taper Elbow Fitting, Male 25Mpa



Part number	OD	D1	D2	L1	L2
HP140418	Ø4	R1/8	9.5	7.5	17
HP1404M6	Ø4	M6*1.0	9.5	8	17
HP1404M8	Ø4	M8*1.0	9.5	8	17
HP1404M10	Ø4	M10*1.0	9.5	8	18
HP140618	Ø6	R1/8	11.5	7.5	20
HP1406M6	Ø6	M6*1.0	11.5	8	20
HP1406M8	Ø6	M8*1.0	11.5	8	20
HP1406M10	Ø6	M10*1.0	11.5	8	21

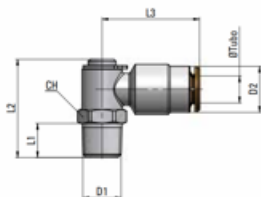


MP15 Taper Elbow Fitting, Male, Rotatable 10Mpa



Part number	OD	D1	D2	L1	L2
MP150418	Ø4	R1/8	9	7.5	20
MP1504M6	Ø4	M6*1.0	9	8	20.5
MP1504M8	Ø4	M8*1.0	9	8	20.5
MP1504M10	Ø4	M10*1.0	9	8	20.5
MP150618	Ø6	R1/8	12	7.5	20
MP1506M6	Ø6	M6*1.0	12	8	21.5
MP1506M8	Ø6	M8*1.0	12	8	21.5
MP1506M10	Ø6	M10*1.0	12	8	21.5

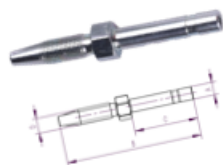
HP18 Taper Elbow Fitting, Male, Rotatable 25Mpa



Part number	OD	D1	D2	L1	L2
HP180418	Ø4	R1/8	9.5	8.5	22
HP1804M6-1	Ø4	M6*0.75	9.5	6	22
HP1804M6	Ø4	M6*1	9.5	8	22
HP1804M8	Ø4	M8*1	9.5	8	22
HP1804M10	Ø4	M10*1	9.5	8	22
HP180618	Ø6	R1/8	11.5	8.5	24
HP180614	Ø6	R1/4	11.5	11	24
HP1806M6	Ø6	M6*1	11.5	8	24
HP1806M8	Ø6	M8*1	11.5	8	24
HP1806M10	Ø6	M10*1	11.5	8	24

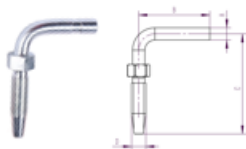


Hose coupling straight



Part number	A	B	C	D	Material
ZZ06	Ø6	60	30	M7*1	Zinc plated
ZZ06-1(short)	Ø6	54.5	21.5	M7*1	
ZZ0610	Ø6	63	30	M10*1	
ZZ08	Ø8	63	30	M10*1	

Hose coupling bent



Part number	A	B	C	D	Material
WZ06	Ø6	32	45	M7*1	Zinc plated
WZ0610	Ø6	32	45	M10*1	
WZ06-1(short)	Ø6	20	45	M7*1	
WZ08	Ø8	35	50	M10*1	

135°Hose coupling bent



Part number	Pipe diameter	B	C	D	Material
WZ13506	Ø6	30	36	M7*1	Zinc plated



Grease lubrication system accessories

Threaded sleeve



Part number	Pipe diameter	Thread	Material
WO06	Ø6	M7*1	Zinc plated
WO08	Ø8	M10*1	

Outlet plug

30Mpa



5PG10



5PC10

Part number	Thread	Material	Description
5PG10	M10*1	Nickel plated	to Integral distributor
5PC10	M10*1	Zinc plated	to Chip distributor

Ferrule



Part number	Thread	TUBE O.D.	MPa
NLL-08	M8*1	Ø4	Super light series LL
NLL-10	M10*1	Ø6	
NL-12	M12*1.5	Ø6	Light series L
NL-14	M14*1.5	Ø8	
NL-16	M16*1.5	Ø10	
NL-18	M18*1.5	Ø12	

Nuts



Part number	TUBE O.D.	MPa
RLL-04	Ø4	Super light series LL
RLL-06	Ø6	
RL-06	Ø6	Light series L
RL-08	Ø8	
RL-10	Ø10	
RL-12	Ø12	

Plane-end plug



Part number	L	T	H
3G0408	12	M8*1.0	8
3G0601	14	PT1/8	10

Sleeve pipe plug



Part number	L	T	H
3G04	16	M8*1.0	8
3G06	17	M10*1.0	10

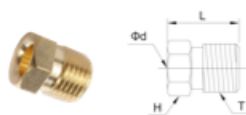


Straight Fitting assembly



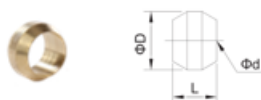
Part number	Ø Tubo	Thread
3D0410T	Ø4	M10*1
3D0610T	Ø6	M10*1
3D0408T	Ø4	M8*1.0
3D0406T	Ø4	M6*1.0

Sleeve pipe cap



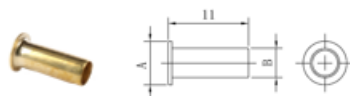
Part number	OD	Ød	ØD	L
3A04	4	4.1	12	4.5
3A06	6	6.1	12.5	5
3A08	8	8.1	14	7
3A10	10	10.1	15	8

Sleeve pipe



Part number	OD	Ød	ØD	L
3B04	4	4.1	6	4.5
3B06	6	6.1	8	5
3B08	8	8.1	11	7
3B10	10	10.1	13.5	8

Inner screw of pipe



Part number	A	B
BF04	4	2
BF0425	4	2.5
BF06	6	4
BF0630	6	3



Grease lubrication system accessories

High-pressure flexible pipe Max. 840Bar



Part number	Outer diameter	Inside diameter
T-HP03	Ø6	Ø3
T-HP04	Ø8.6	Ø4
T-HP06	Ø11	Ø6.3

Nylon tubing (BP in black; WP in white)



Part number	Outer diameter	Inside diameter
T-BP06	Ø6	Ø3
T-BP04	Ø4	Ø2.5
T-WP06	Ø6	Ø4
T-WP04	Ø4	Ø2

Steel tubing



Part number	Outer diameter	Inside diameter
T-CP04	Ø4	Ø2
T-CP06	Ø6	Ø4
T-CP08	Ø8	Ø6
T-CP10	Ø10	Ø8

Spring coil



Part number	Ød	Suitable pipe outer diameter
THT04	4.5	4
THT06	6.5	6
THT08	11	9.3



Hose plastic jacket



Part number	Ød	Suitable pipe outer diameter
THL08	8	8.6
THL10	10	11
THL12-1	11	12

Cable tie



Part number	Width	Length	Material
ZDCH5200	5	200	Nylon
ZDCH5300	5	300	
ZDCH5500	5	500	

R Pipe clamp

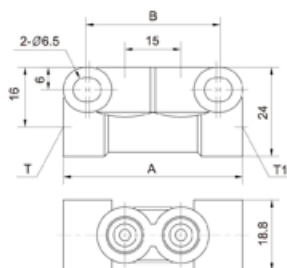
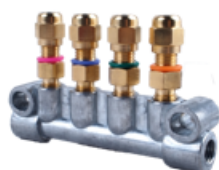


Part number	Ød	Mounting hole
RC06	6	6.4mm
RC08	8	6.4mm
RC10	10	6.4mm
RC12	12	6.4mm
RC14	14	6.4mm
RC16	16	6.4mm
RC18	18	6.4mm
RC20	20	6.4mm
RC22	22	6.4mm
RC25	25	6.4mm
RC28	28	6.4mm
RC30	30	6.4mm



Chain lubrication system accessories

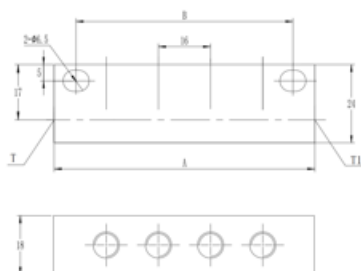
DSM metering devices



Part number	Inlet	OD	Flow pattern	A	B
DSM-00M	M8X1	Ø4	00	47	37
DSM-0M	M8X1	Ø4	0	62	52
DSM-1M	M8X1	Ø4	1	77	67
DSM-2M	M8X1	Ø4	2	92	82
DSM-3M	M8X1	Ø4	3	107	97
DSM-4M	M8X1	Ø4	4	122	112
DSM-5M	M8X1	Ø4	5	137	127

*Components as ordered, eg.: DSM-00-1-1-3-4-P 4 outlets, P is for plugging

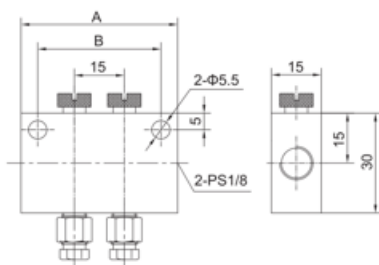
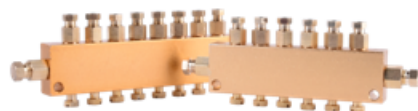
DSMT base



Part number	T1/T2	Outlet	outlets	A	B
DSMT-02	M8X1	M8X1	2	48	34.5
DSMT-03	M8X1	M8X1	3	64	50.5
DSMT-04	M8X1	M8X1	4	80	66.5
DSMT-05	M8X1	M8X1	5	96	82.5
DSMT-06	M8X1	M8X1	6	112	98.5
DSMT-07	M8X1	M8X1	7	128	114.5
DSMT-08	M8X1	M8X1	8	144	130.5



DA adjustable distributor



Part number	T/T1	OD	outlets	A	B
DA-S4-2T	Ø6/Ø6	Ø4	2	47	37
DA-S4-3T	Ø6/Ø6	Ø4	3	62	52
DA-S4-4T	Ø6/Ø6	Ø4	4	77	67
DA-S4-5T	Ø6/Ø6	Ø4	5	92	82
DA-S4-6T	Ø6/Ø6	Ø4	6	107	97
DA-S4-7T	Ø6/Ø6	Ø4	7	122	112
DA-S4-8T	Ø6/Ø6	Ø4	8	137	127
DA-S4-9T	Ø6/Ø6	Ø4	9	152	142
DA-S4-10T	Ø6/Ø6	Ø4	10	167	157

*S= Straight Fitting assembly, Q= Push-in fitting

*If you order the block T1, please add the suffix -P to the original model.

Reservoir 4L



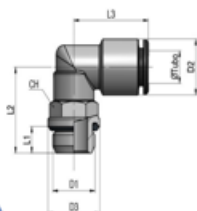
Part number	Technical specifications
RV08E04	Outlet OD 8mm; With filter
RV10E04	Outlet OD10mm; With filter

Reservoir 7L



Part number	Technical specifications
RV08E07	Outlet OD 8mm; With filter
RV10E07	Outlet OD10mm; With filter

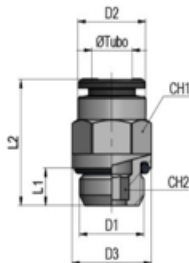
Elbow Fitting, male 2Mpa



Part number	OD	D1	D2	L1	L2	Usage
AP160418	Ø4	G1/8	9	7.5	20	Pump outlet, brush

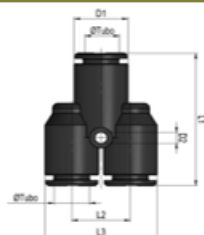


Straight Push-in fitting , male 2Mpa



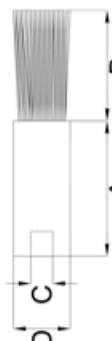
Part number	OD	D1	D2	L1	L2	Usage
AP120814	Ø8	G1/4	12	8	25.5	Reservoir outlet
AP121014	Ø10	G1/4	12	8	25.5	Reservoir outlet
AP120418	Ø4	G1/8	9	7.5	18.5	Pump outlet, brush
AP120818	Ø8	G1/8	9	8	20	Pump inlet
AP121018	Ø10	G1/8	12	8	25.5	Pump inlet

Tee Fitting



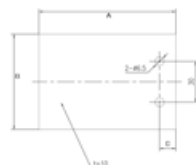
Part number	OD	D1	D2	L1	L2	L3
AP290404	Ø4	10	3.13	33	5.8	21.5

Brushes



Part number	A	B	C	D	Material
MS-B01	55	44.8	G1/8	16	NYLON
MS-B02	55	44.8	G1/8	23	NYLON

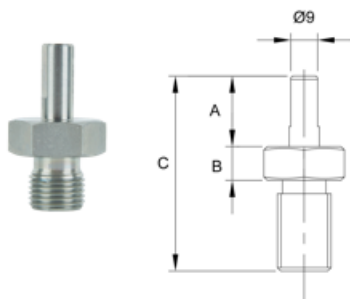
Felt



Part number	A	B	C	T
FT50	70	50	11	10
FT70	100	70	12	10



Coupling bolt



Part number	Male thread	A	B	C
M14*2L61	M14*2	21	10	61
M16*1.5L46	M16*1.5	21	10	46
M16*1.5L58	M16*1.5	21	10	58
M16*2L58	M16*2	21	10	58

Nylon Tubing
(BP in black; WP in white)

Part number	Piping outer diameter	Piping Inside diameter
T-BP04	Ø4	Ø2.5
T-BP06	Ø6	Ø3
T-BP08	Ø8	Ø6
T-BP10	Ø10	Ø8
T-WP04	Ø4	Ø2.5
T-WP06	Ø6	Ø3
T-WP08	Ø8	Ø6
T-WP10	Ø10	Ø8

Plastic helix



Part number	Ød	Piping outer diameter
THL04	4	4
THL06	6	6
THL08	8	8.6
THL10	10	11



Chain lubrication system accessories

R Pipe clamp



Part number	Ød	Mounting hole
RC06	6	6.4mm
RC08	8	6.4mm
RC10	10	6.4mm
RC12	12	6.4mm
RC14	14	6.4mm
RC16	16	6.4mm
RC18	18	6.4mm
RC20	20	6.4mm
RC22	22	6.4mm
RC25	25	6.4mm
RC28	28	6.4mm
RC30	30	6.4mm

Cable tie



Part number	Width	Length	Material
ZDCH5200	5	200	Nylon
ZDCH5300	5	300	
ZDCH5500	5	500	



CISO

LUBRICATION SYSTEM

Yantai CISO Lubrication Technology Co.,Ltd

No. 30 Chuangye Road, High-tech Zone, Yantai, Shandong

Tel:+086 400-800-9400



MADE IN CHINA

